



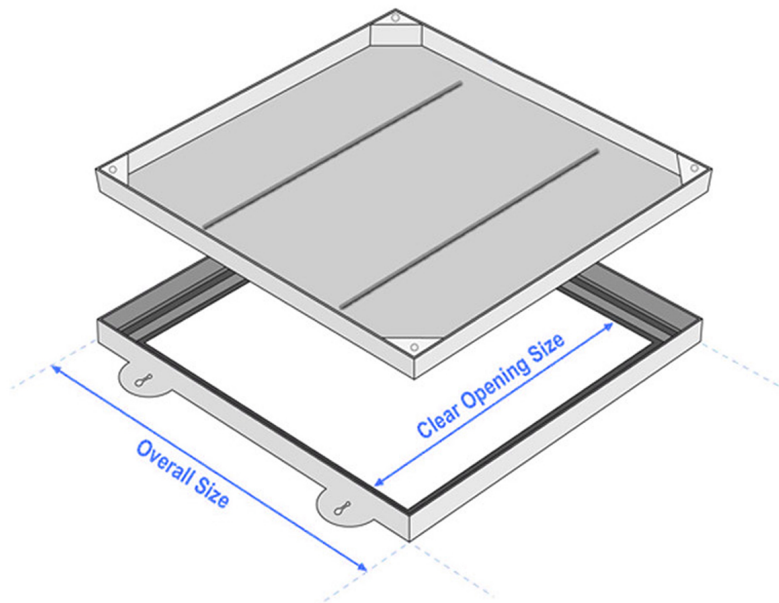
**ARBOUR**  
LANDSCAPE SOLUTIONS

## How Are Manhole Cover Sizes Measured?

The key to measuring for a manhole cover is **NOT** to measure the existing lid itself.

Manhole covers, regardless of who has manufactured them, are sold based on the **size of the hole** that they are covering.

Also known as the **'clear opening size'**.



Whether your manhole is square or round, the same principal applies. You should measure the distance between the inside walls of the manhole.

**Round Manholes:** This will be the internal wall to wall diameter.

**Rectangular Manholes:** You'll need both the width and the length.

*Dimensions should always be taken in millimetres.*

Arbour Landscape Solutions Ltd

Tel: 020 8953 6177

[www.arbourlandscapesolutions.co.uk](http://www.arbourlandscapesolutions.co.uk)

Email: [enquiries@arbourlandscapesolutions.co.uk](mailto:enquiries@arbourlandscapesolutions.co.uk)

Unit 3a, Chassis Industrial Estate, Grovebury Road, Leighton Buzzard, Bedfordshire LU7 4SL